

24 x 48 "DUO" multifunction CTR24L - 2515 Part number 87623574



- High brightness display : 6-digit LED, height 8 mm
- Maximum input frequency 50 k Hz (in tot.tot function)
- Programmable dual functions : Counter + Tachometer/Counter + Counter/Counter + Chronometer/Chronometer + Chronometer
- Reset on panel or external with inhibition option
- Supply : 10 →30 VDC
- Easy to program
- Scaling factor (Counter - Tachometer)
- Decimal point (Counter - Tachometer - Chronometer)
- Timing range 0.001 s →999,999 hrs (Chronometer)
- Impulses or time measured in hrs/min/sec and in real time (Chronometer)
- Accessories for 50 x 25 mm cut-out

Part numbers

	Type	Functions
87623574	CTR24L - 2515	DUO counter : Counter + Tachometer/Counter + Counter/Counter + Chronometer/Chronometer + Chronometer

Specifications

Physical details and protection

Consumption	10 →30 VDC max 55 mA with protection against polarity reversal
Connection by 5 screw terminals at rear of casing	•
Connection capacity	1,5 mm ²
Fixed using bracket	•
Degree of protection front face	IP 65
Data memory	EEPROM
Temperature limits use (°C)	-20 →+55
Temperature limits stored (°C)	-25 →+70
Breakdown voltage	EN 61010-1 : 2000 V / 50 Hz / 1 min
Conformity to standards	EN 61000-6-2 - EN 55011 class B
Altitude	2000 m
Certifications	UL - cULus (pending) - CE
Weight (g)	50

Operating characteristics

Functions	Counter + Tachometer/Counter + Counter/Counter + Chronometer/Chronometer + Chronometer
Display	6-digit LED
Height digits (mm)	8

Inputs specifications

Inputs	2 counter inputs, 1 reset input
Low level	0 →0,2 x Ub VDC
High level	0,6 x Ub →30 VDC
Cyclical ratio	Any (maximum frequency given for a cyclical ratio = 1/1) Schmitt trigger input
Polarity	NPN or PNP for all inputs (programming)
Minimum impulse duration for reset	5 ms
Frequency of filtered input	Filter active : 30 Hz Filter disabled : maximum frequency (programming)
Input impedance (kΩ)	Appr. 5

Impulse counter

Display details	0 →999 999
Elimination of non-significant zeros	•
Counting input modes	INPA input counting
Input INPA	Dynamic (uses the same INPA input as the counter)
Reset input (terminal 5)	Dynamic Reset input connected in parallel with the red SET/RESET button Sets the counter to the defined preset value
Reset to zero - Panel	If not locked during programming
Remise à zéro - Externe (borne 5)	If not locked during programming
Scale factor	1 →99,9999
Scaling factor	1 →99,9999
Decimal point	0 0,0 0,00 0,000
Maximum counting frequency	50 k Hz

Tachometer

Display details	0 →999 999
Elimination of non-significant zeros	•

Conversion time	1/s or 1/min
Input INPA	Dynamic (uses the same INPA input as the counter)
Accuracy	< 38 Hz : measurement of period duration > 38 Hz : measurement of duration time base = 26.3 ms
Measurement principle	< 0.1 %
Scale factor	1 →99,9999
Scaling factor	1 →99,9999
Decimal point	0 0,0 0,00 0,000
Maximum counting frequency	35 k Hz

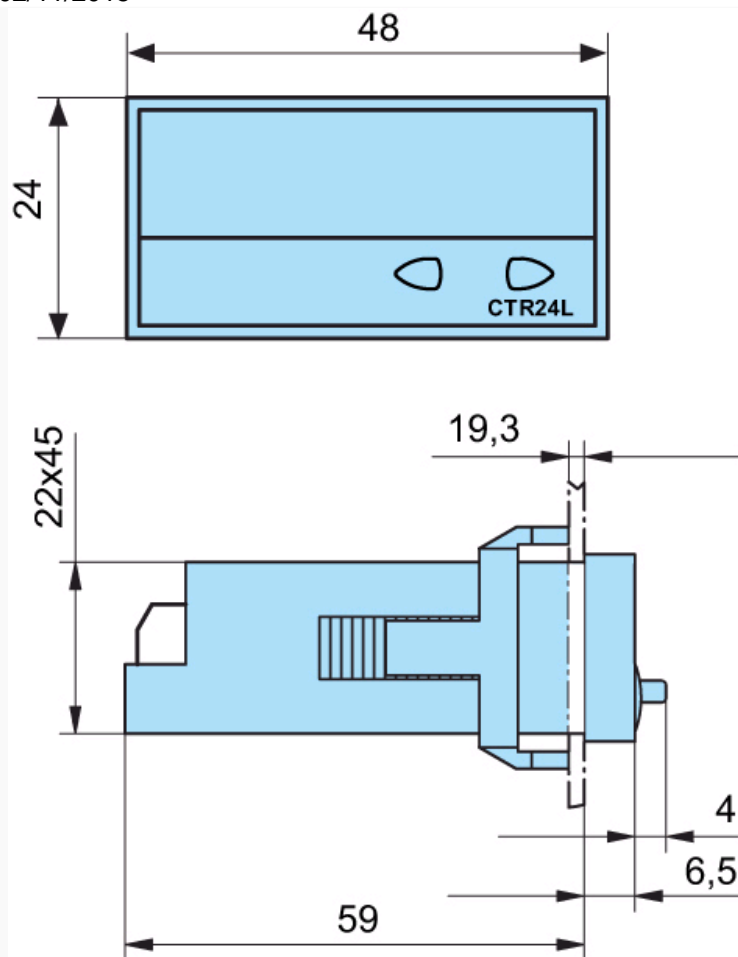
Chronometer

Display details	0,001 s →999 999 h
Elimination of non-significant zeros	■
Functions	In tot.tr function : GatE.Lo →Time measurement if INPB is not active GatE.hi →Time measurement if INPB is active Inb.Inb →Time measurement on/off via the INPB edge In tr.tr function : IGatE.Lo →Time measurement if INPB is not active IGatE.hi →Time measurement if INPB is active Inb.Inb →Time measurement on/off via the INPB edge InA.Inb →Measurement on via the INPA edge, measurement off via the INPB edge
Input INPA	Start/Stop or Gate (depends on the input mode chosen)
Input INPB	Start/Stop or Gate (depends on the input mode chosen)
Reset input (terminal 5)	Dynamic Reset input connected in parallel with the red SET/RESET button Sets the counter to the defined preset value
Remise à zéro - Externe (borne 5)	If not locked during programming
Reset to zero - Panel	If not locked during programming
Accuracy	< 50
Decimal point	0 0,0 0,00 0,000
Time ranges	0,001 s →999 999 s 0,001 min →99 999 min 0,001 h →999 999 h 00 h 00 min 01 s →99 h 59 min 59 s
Maximum counting frequency	40 k Hz

Accessories

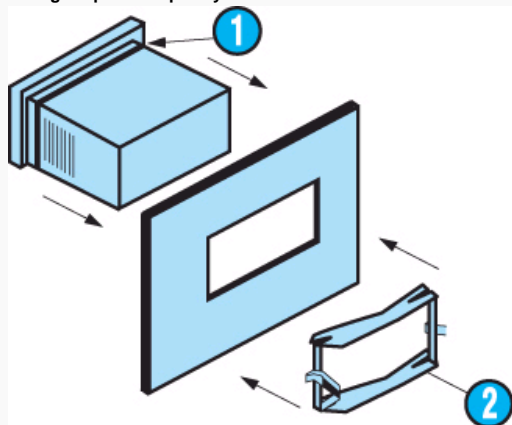
Description	Code
Adaptor for 50 x 25 mm cut-out - Fixed with screws	26546843
Adaptor for 50 x 25 mm cut-out - Fixed with clips	26546844
DIN rail adaptor	26546840
Clip-fixing kit (supplied with the product)	26546848

Dimensions (mm)**CTR24L - 2515**



Dimensions (mm)

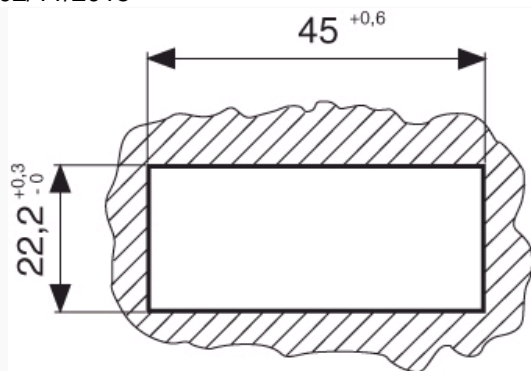
Fixing strip with clip-on yoke



N°	Legend
1	Seal
2	Fixing yoke

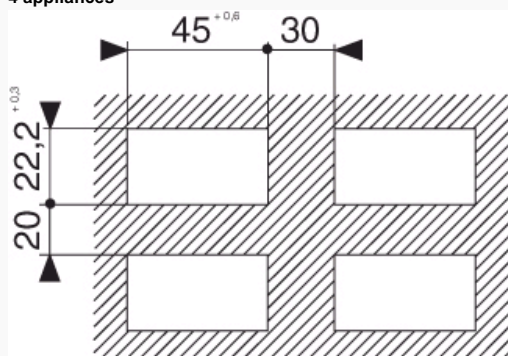
Dimensions (mm)

Panel cut-out



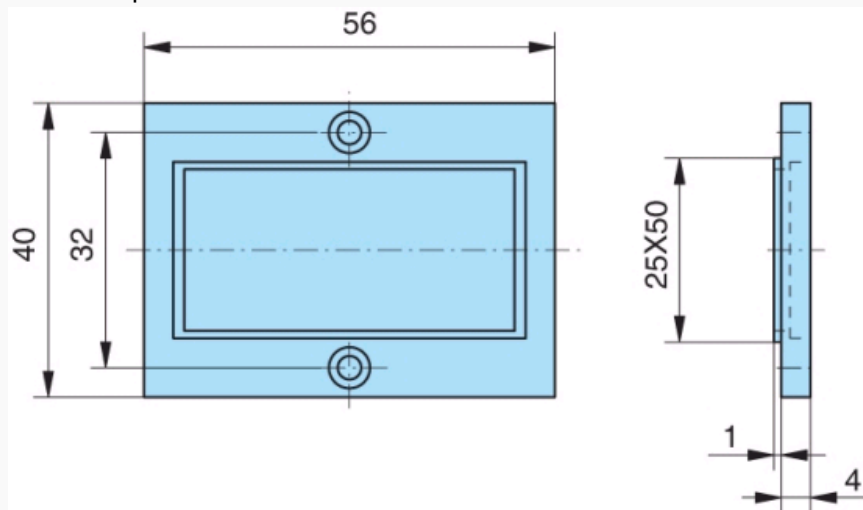
Dimensions (mm)

4 appliances



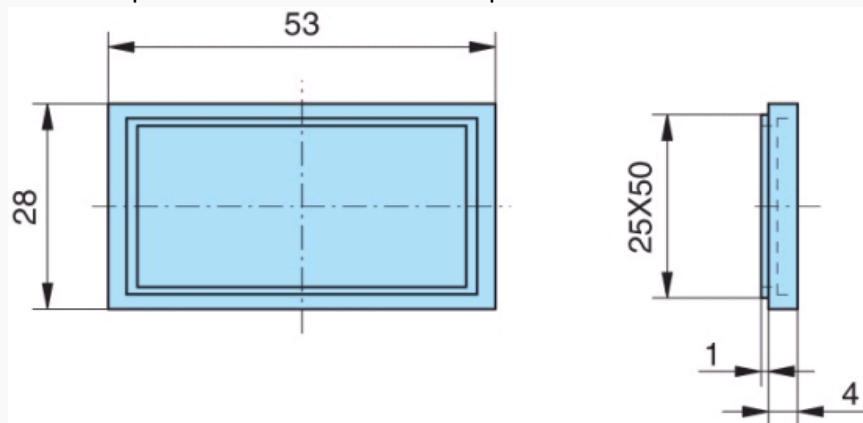
Dimensions (mm)

26546843 - Adaptor for 50 x 25 mm cut-out - Fixed with screws



Dimensions (mm)

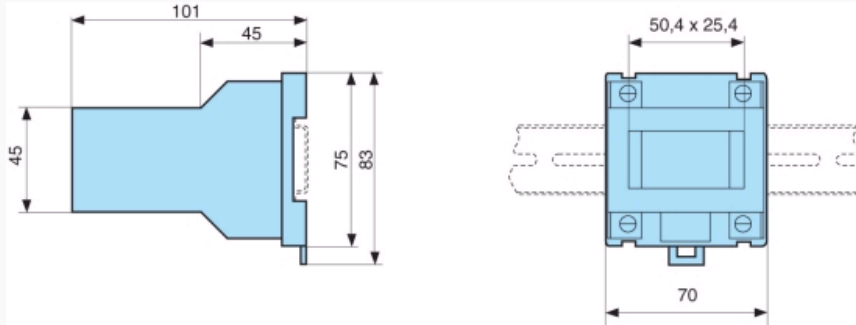
26546844 - Adaptor for 50 x 25 mm cut-out - Fixed with clips



Accessory supplied with the counter

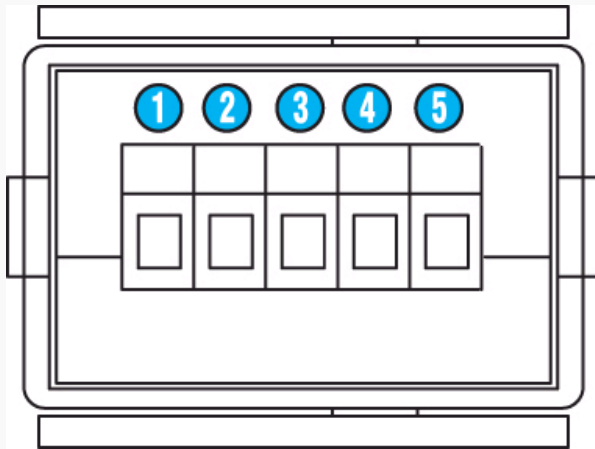
Dimensions (mm)

26546840 - DIN rail adaptor



Accessory supplied with the counter

Connections



N°	Legend
1	Supply : 10 →30 VDC
2	Supply : GND (0 VDC)
3	INPA
4	INPB
5	SET/RESET

Applications

Programming diagram

