

## Impulse with built-in fixing clip - 15 x 32 - CIM15 Without manual reset Part number 99778714



- 7 digits, height of digits 4 mm
- Without manual reset
- White digits on a black background
- Compact size
- Built-in fixing clip
- IP65 (panel only)

### Part numbers

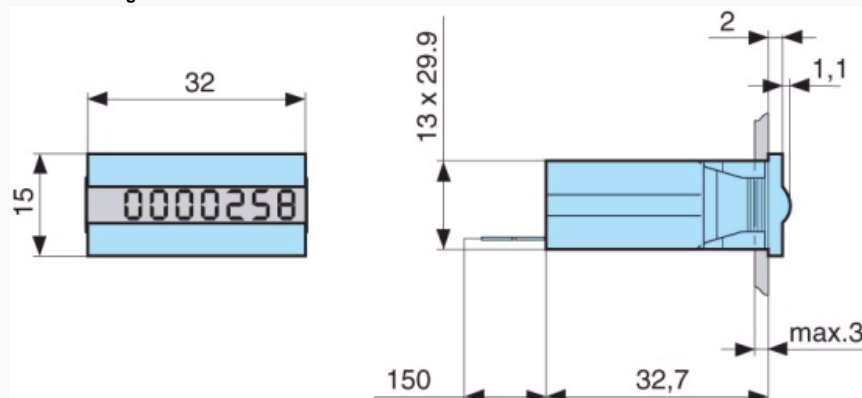
Type	Operating frequency (Hz)	Voltages
99778714 Without manual reset	50 / 60	230 VAC

### Specifications

Counting capacity	9,999,999
Height digits (mm)	4
Max. count rate	VAC → 10 impulses/s VDC → 10 impulses/s (except for 99778810 : up to 25 impulses/s)
Min. count rate	VAC → 50 ms VDC → 50 ms
Min pause time between 2 pulses	VAC → 50 ms VDC → 50 ms
Max. pulse length (count coil)	Unlimited
Voltage variation	VDC : ± -10 % VAC : ± -10 %
Consumption	VAC : 800 mVA VDC : 50 mW
Mechanical life count function (operations)	> 50 x 10 <sup>6</sup>
Test voltage according to standard IEC 255-5	U < 60 V : 500 V U > 60 V : 2 000 V
Protection Housing	IP65 panel only
Degree of terminal protection	IP00
Environmental protection	Plated or stainless steel components
Maintenance	None
Operating position	Any
Temperature limits use (°C)	-10 → +60
Temperature limits stored (°C)	-40 → +80
Certifications	UL (pending) - CE
Connection	Flying leads
Mounting	Built-in fixing clip
Weight (g)	20

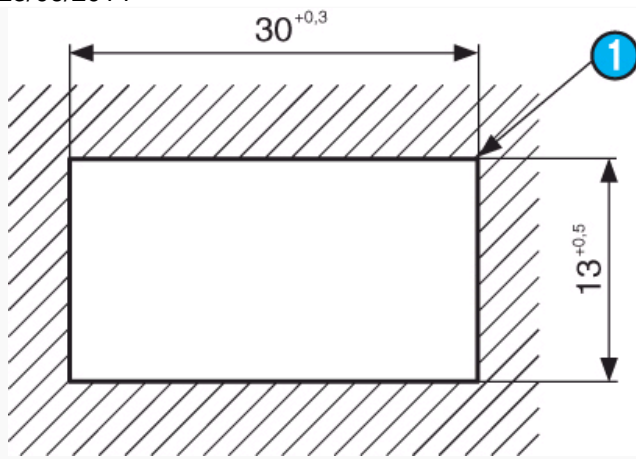
### Dimensions (mm)

#### 997787/8 - 7 digits



### Dimensions (mm)

#### Panel cut-out



N°	Legend
1	R max : 0.5 mm