

1.2 Nm GDR1 10 and 17 Watts 17 W Part number made to order



- Torque rating of gearboxes : 1.2 Nm, for long service life
- Motors : nominal power of 10 W and 17 W
- Speed range : 20 to 100 rpm
- Replaceable brushes

Part numbers

	Type	Type	Voltage	Output speed (rpm)	Ratios (i)
MADE TO ORDER	17 W	828020	24 V	60	130/3

Specifications

General characteristics

Motor	828000
Gearbox	810321
Maximum permitted torque from gearmotor under continuous conditions for 10 millions turns (Nm)	1.2
Axial load dynamic (daN)	3,5
Radial load dynamic (daN)	5
Max. output power (W)	17
Nominal output (W)	15,6
Gearbox case temperature rise (°C)	40
Weight (g)	670

Made to order products, available on request

Motors :

•Special interference suppression

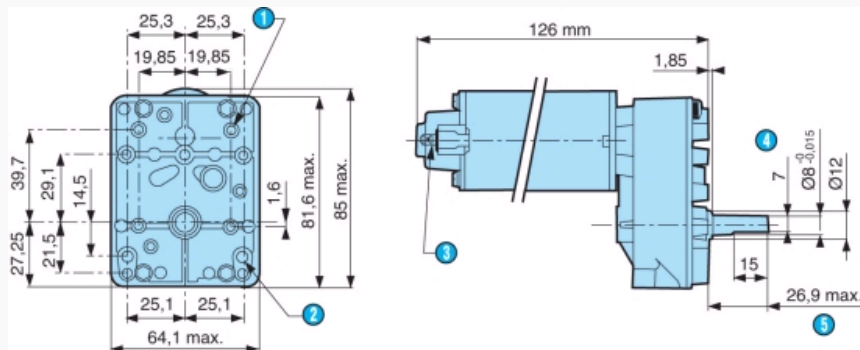
- Other supply voltages
- Motor with 1 ball bearing at front (82 812 0) (essential for vertical motor)
- Shaft lengths at front and/or rear
- 1 or 5 pulses/revolution magnetic encoder
- Other fixing flanges on front

Gearboxes :

- Drawn cup needle bearing for 81 032 1
- Special cover for 81 032 1
- Special greasing
- Other reduction ratios

Dimensions (mm)

828020 standard

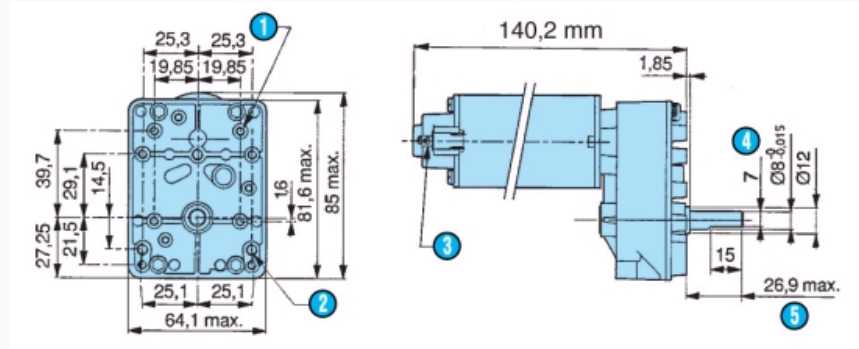


N°	Legend
①	4 holes M4 depth 7.5 mm
②	3 holes M5 at 120° depth 7.5 mm
③	2 tags IEC 760, series 4.8 x 0.5

④	7 across flats
⑤	Shaft pushed-in

Dimensions (mm)

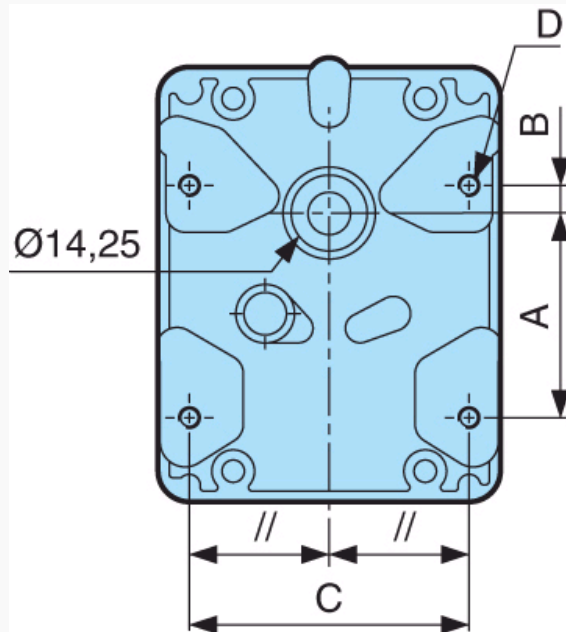
82 802 0 encoder



N°	Legend
①	4 holes M4 depth 7.5 mm
②	3 holes M5 at 120° depth 7.5 mm
③	2 tags IEC 760, series 4.8 x 0.5
④	7 across flats
⑤	Shaft pushed-in

Dimensions (mm)

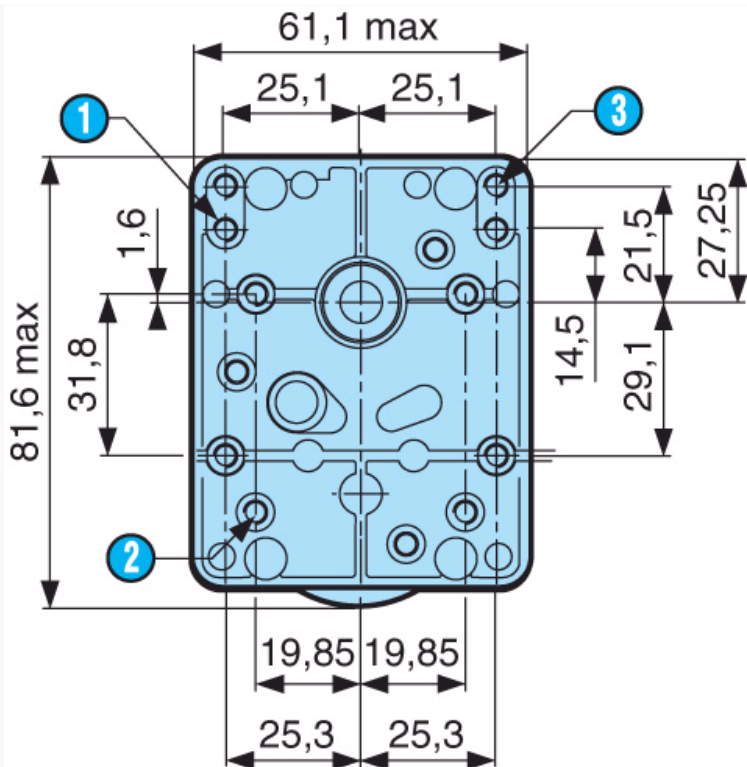
Cover E



Special fixing holes can be made

Dimensions (mm)

Cover 1

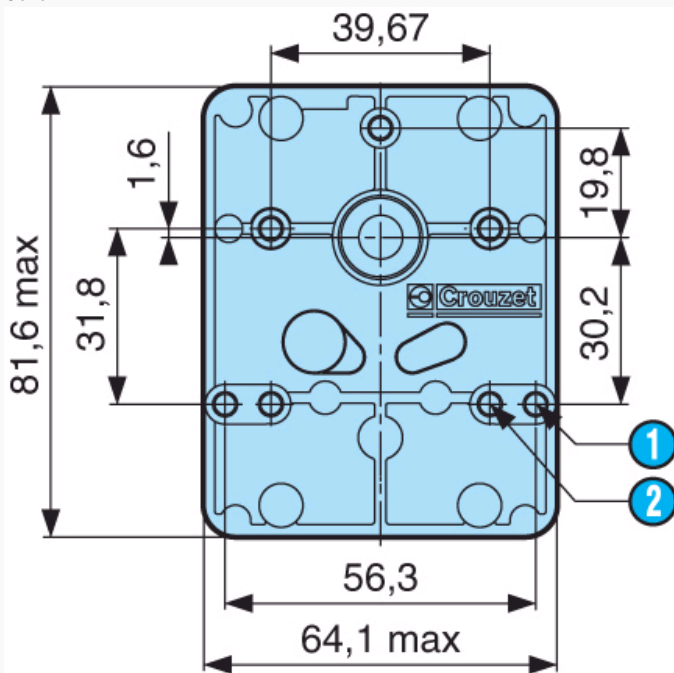


Special fixing holes can be made

N°	Legend
1	4 holes M4 depth : 7.5 mm
2	3 holes M5 at 120° depth 7.5 mm
3	4 holes M4 depth : 7.5 mm

Dimensions (mm)

Cover 2

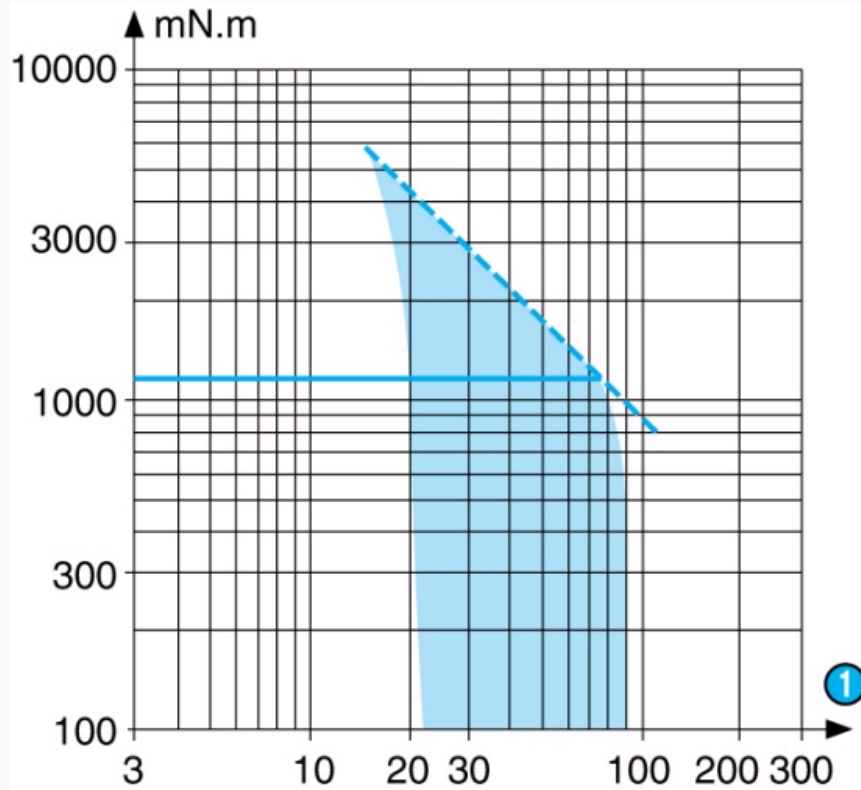


Special fixing holes can be made

N°	Legend
1	3 holes M4 depth : 7.5 mm

**Curves**

Curve : torque/nominal speed 828020



N°	Legend
	rpm

Product adaptations

- Special supply voltage
- Optical or Hall effect encoder
- Special connections
- Special shaft
- Special reduction ratio
- Special materials for gears
- Drawn cup needle bearings
- Special adaptor plate
- With 82830 - 30 W motor