

## Top 2000 6 s 12 mm Part number 88226012



### Relay output

- Mono-voltage
- 1 timed changeover and 1 instantaneous contact
- Elapsed time can be saved mechanically in the event of a break in supply
- Progress of cycle displayed
- Housing 48 x 48 mm
- Connection by screw-terminal base or 8-pin base

### Part numbers

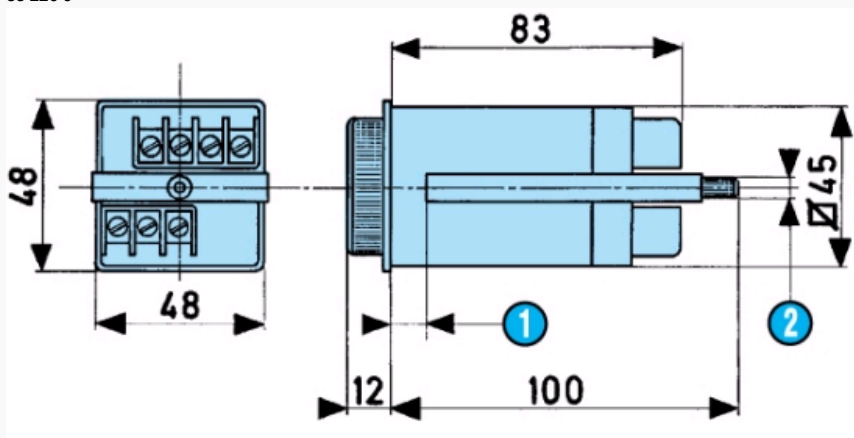
	Type	Functions	Relay outputs	Delay	Voltages
88226012	6 s 12 mm	-	-	-	110 V \ 127 V AC

### Specifications

Precision limit error	± 2 % (± 5 %/6 s)
Repetition accuracy	± 1.5 % (± 4 %/6 s)
Selection precision	See "timing ranges" table for scale graduation
Reset time	0.20 s
Timed two-pole	1
Instantaneous single pole	1
Thermal rating	6,3 A
Rating (cos φ = 0.41) 10 <sup>4</sup> operations	5 A - 230 V
Absorbed power-motor	3 VA cos φ 0,8
Voltage variation at maximum temperature of 55 °C according to IEC 255 100	24 V +10 % - 42 V -15 % 48 V +10 % - 110 V -20 % 127 V 0 % - 220 V -20 % 240 V 0 %
Operating factor	100 %
Temperature limits use (°C)	-10→+55
Temperature limits stored (°C)	-20→70
Environmental protection Tropicalised to IEC 68-2-10	■
Vibration withstand on 3 axes (Veritas standard)	4 G - 55 Hz
Dielectric test voltage according to IEC 255 5 or VDE 0435	1000 V - Un ≤ 60 V 2000 V - Un > 60 V
Insulation according to standard VDE 0110 group C	380 V AC - 440 V DC
Protection Housing	IP 40
Degree of terminal protection	IP 10
Conformity to standards NFC 45250 - VDE 0110 - 0435 - 0660 or ICE 529	■
Connection : Screw/saddle	■
Terminal capacity Single-wire 1 or 2 leads Multi-wire	0,75 - 2,5 mm <sup>2</sup>
Terminal capacity Multi-wire 1 or 2 leads	0,5 - 1 mm <sup>2</sup>
Mounting : Base mounting on 8-pin socket	■
Weight (g)	185

### Dimensions (mm)

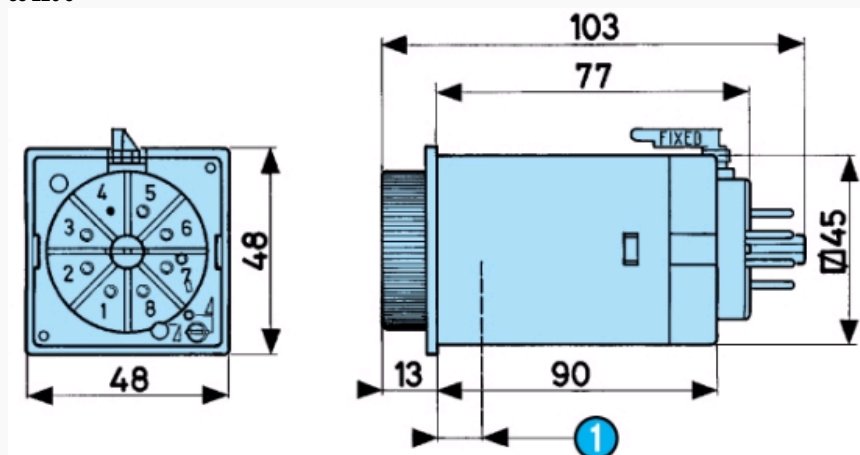
88 226 0



N°	Legend
①	Panel depth 10 mm max.
②	M3 screw

#### Dimensions (mm)

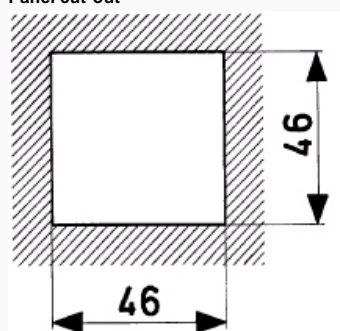
88 226 5



N°	Legend
①	Panel depth 10 mm max.

#### Dimensions (mm)

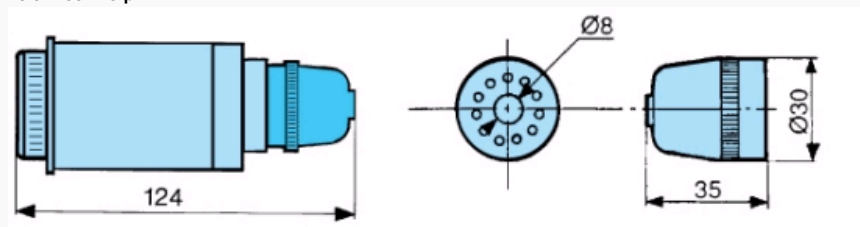
Panel cut-out



#### Dimensions (mm)

Solder tag connector

25 622 301 - 8-pin



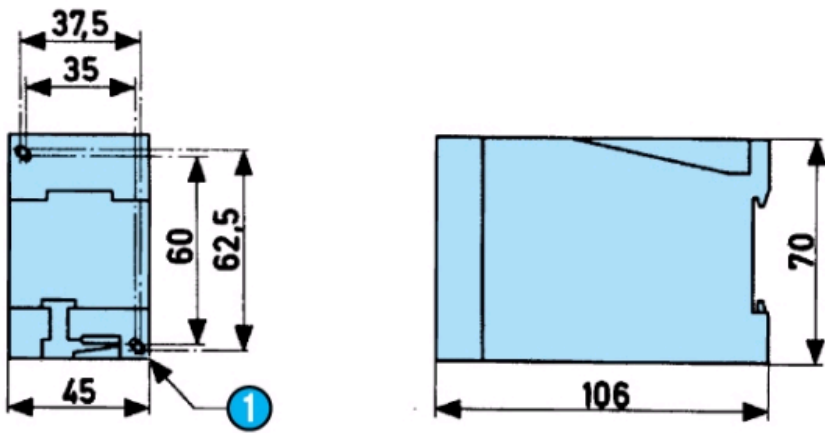
#### Dimensions (mm)

Inverter for DC supply

84 861 501 : 24 • 48 V DC

84 861 503 : 110 • 127 V DC

Weight 150 g

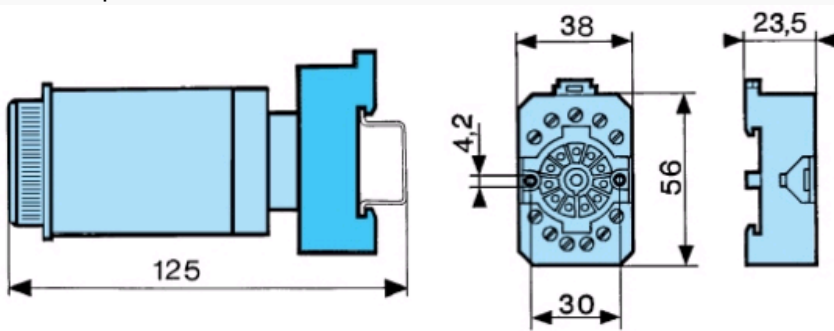


[48 V DC](#)  
[84 861 503 : 110](#) • [127 V DC](#)  
[Weight 150 g" class="link\\_produits\\_thickbox"> Zoom](#)

N°	Legend
1	Fixing holes $\varnothing$ 5

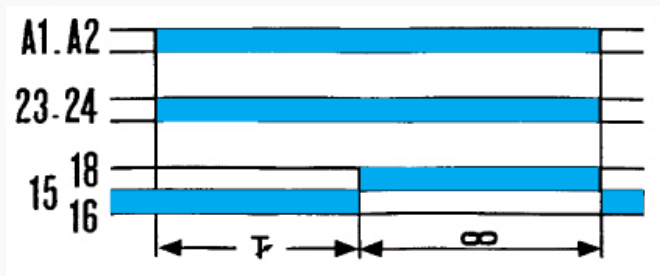
**Dimensions (mm)**

Screw terminal or connector socket  
 26 622 128 - 8-pin



**Curves**

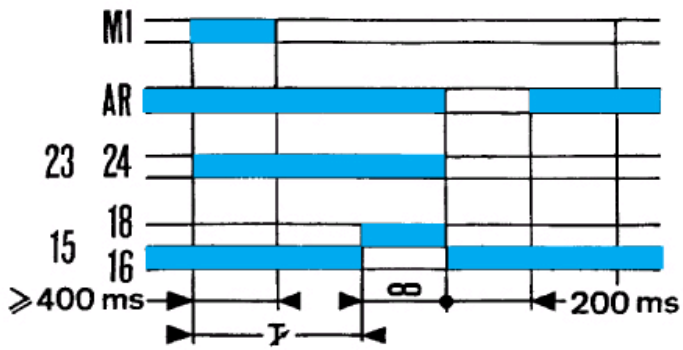
Function 2



<b>Function</b>
*** TRADUCTION MANQUANTE ***

**Curves**

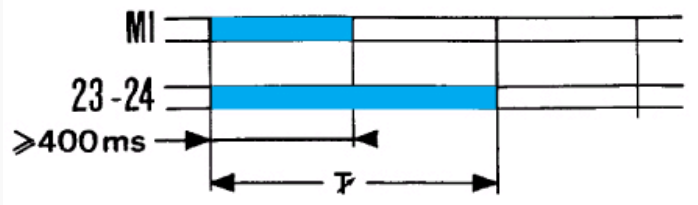
Function 3



Function  
 \*\*\* TRADUCTION MANQUANTE \*\*\*

**Curves**

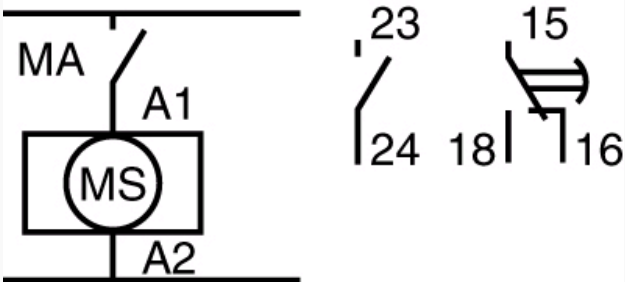
Function 4



Function  
 \*\*\* TRADUCTION MANQUANTE \*\*\*

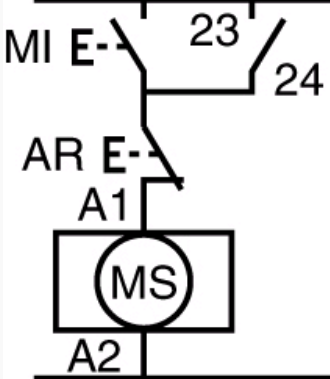
**Connections**

Function 2



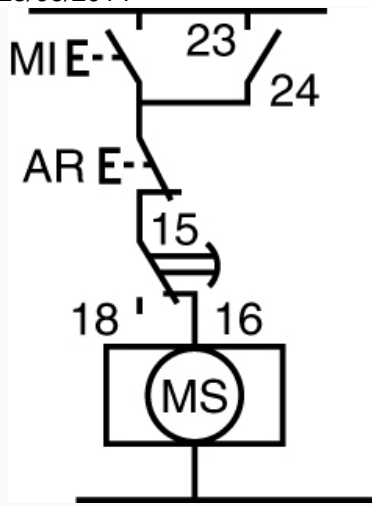
**Connections**

Function 3



**Connections**

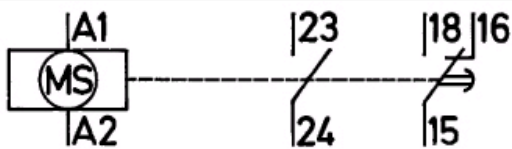
Function 4



Function 4 : On energisation, chance of contact bounce on instantaneous contact for 250 ms

**Connections**

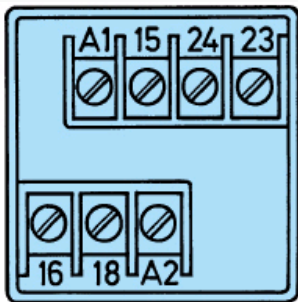
Internal layout 88 226 0



Function 4 : On energisation, chance of contact bounce on instantaneous contact for 250 ms

**Connections**

Terminal identification 88 226 0

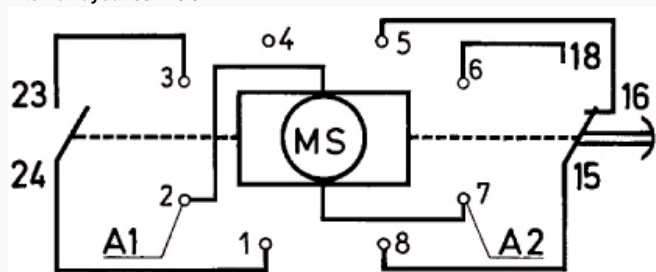


Function 4 : On energisation, chance of contact bounce on instantaneous contact for 250 ms

N°	Legend
	Supply
	Timed contact
	Instantaneous contact

**Connections**

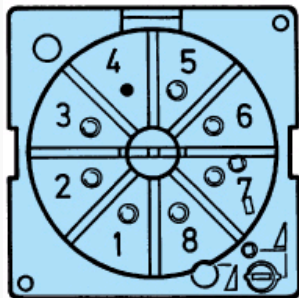
Internal layout 88 226 5



Function 4 : On energisation, chance of contact bounce on instantaneous contact for 250 ms

### Connections

Terminal identification 88 226 5



Function 4 : On energisation, chance of contact bounce on instantaneous contact for 250 ms

N° 2-3	Legend
2-7	Supply
<input type="checkbox"/>	Timed contact
<input type="checkbox"/>	Instantaneous contact